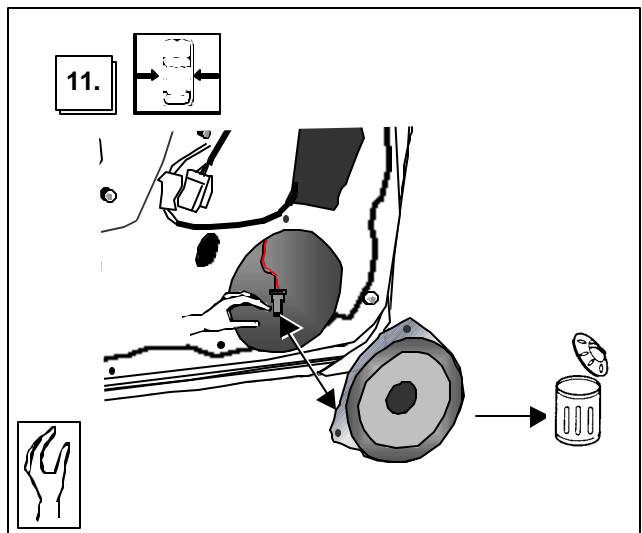
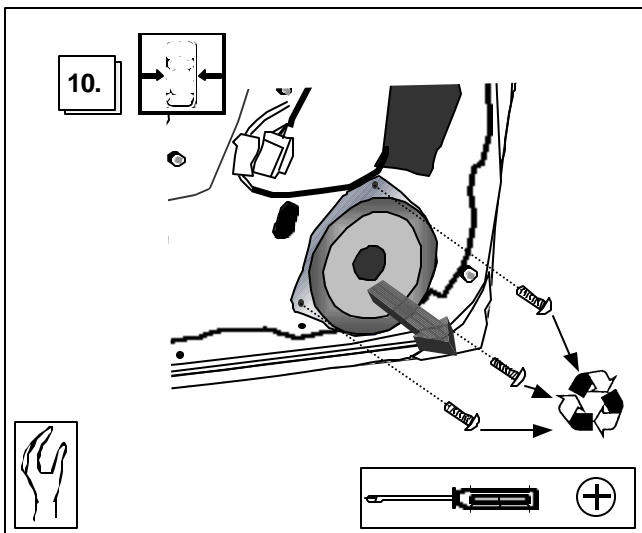
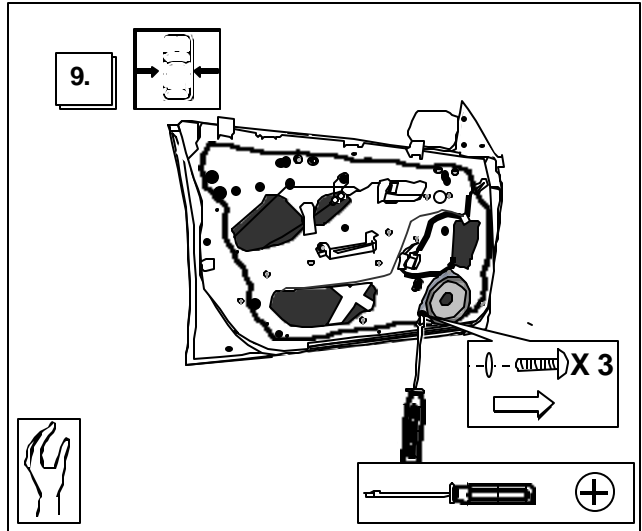
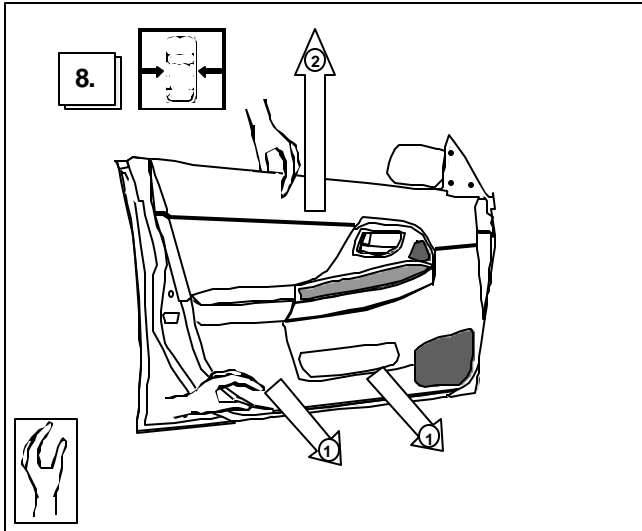
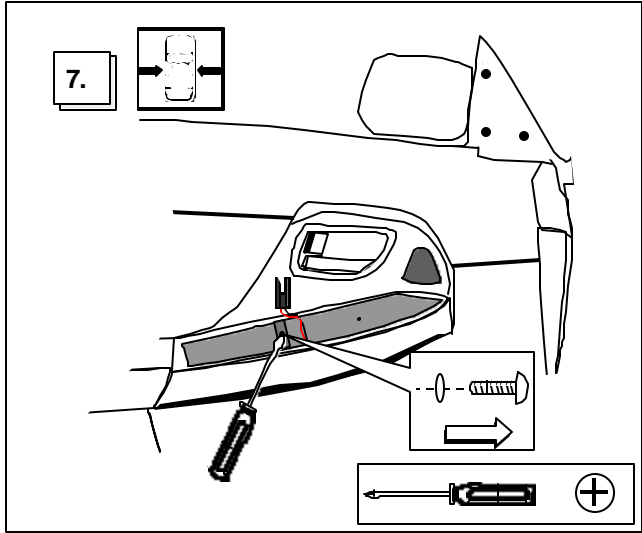
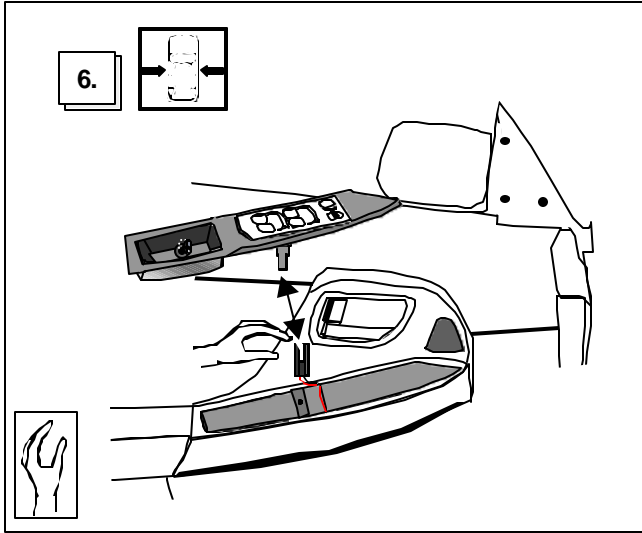


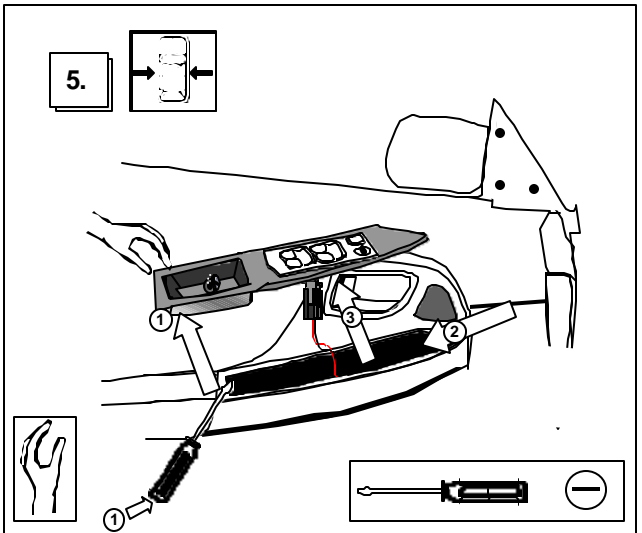
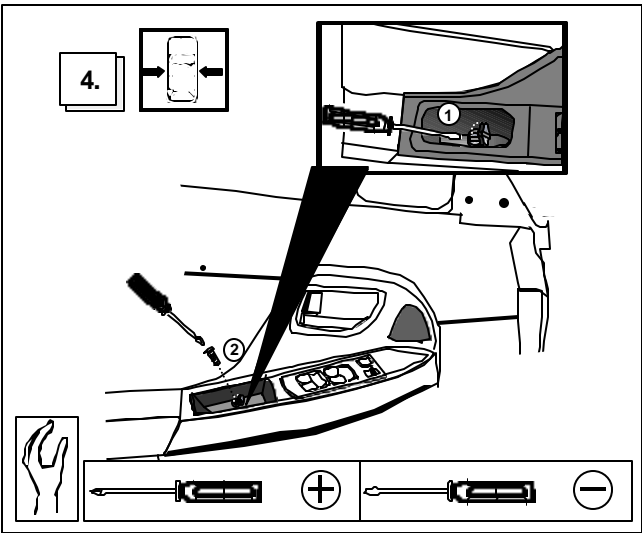
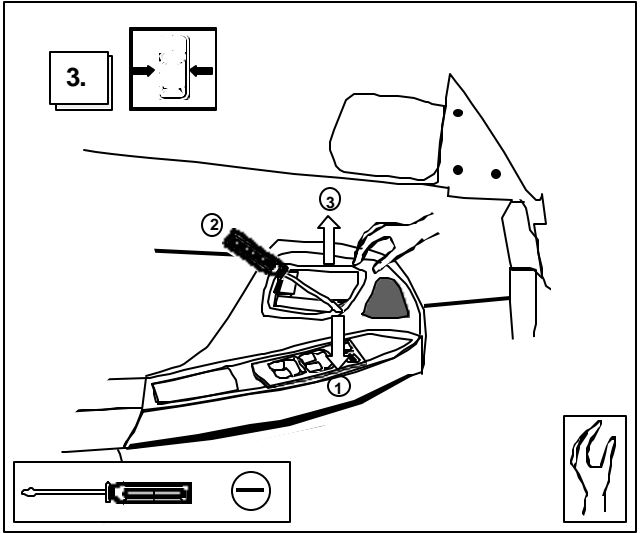
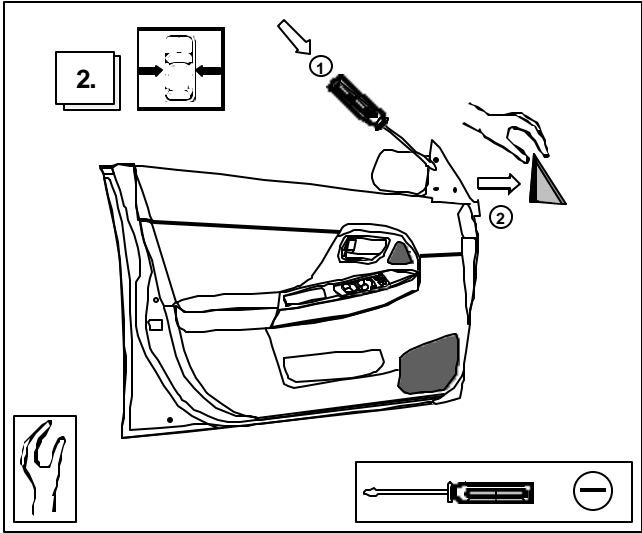
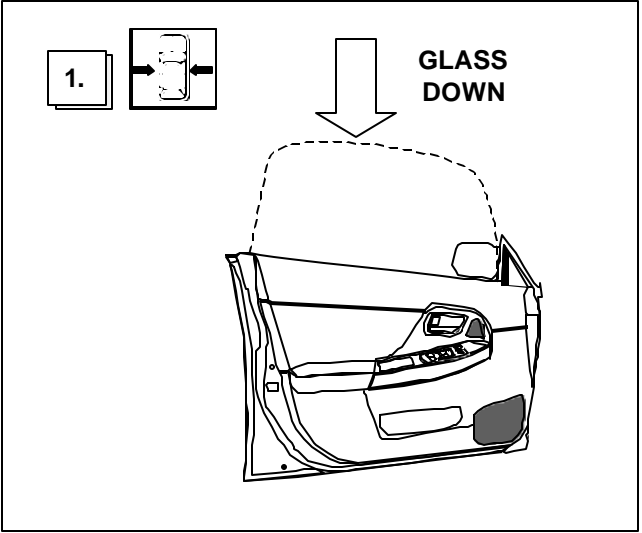
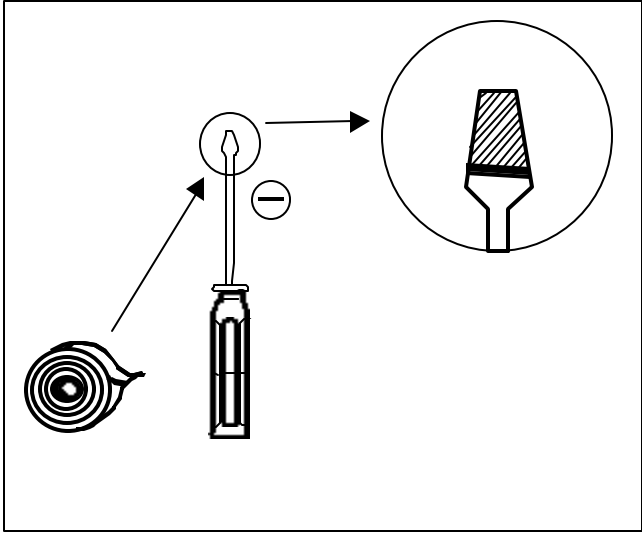


FRONT DOOR





FRONT DOOR





SUBARU

Part Number

H6300 SS000

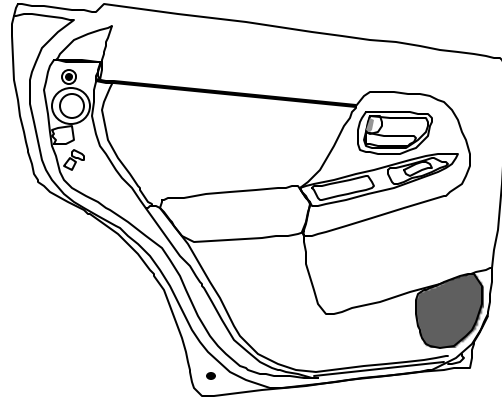
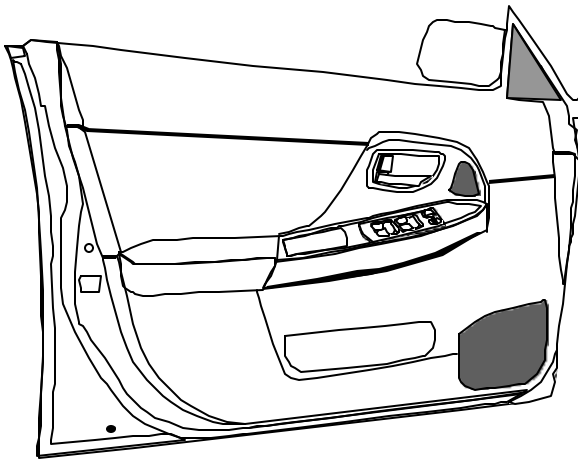
Installation Instruction for SPEAKER UPGRADE KIT



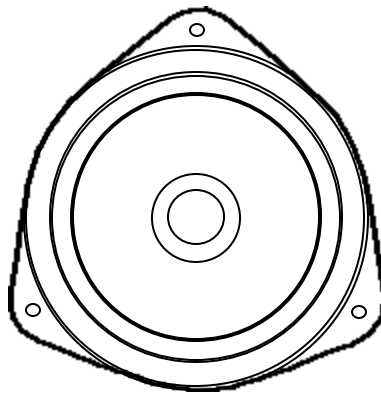
Front Door



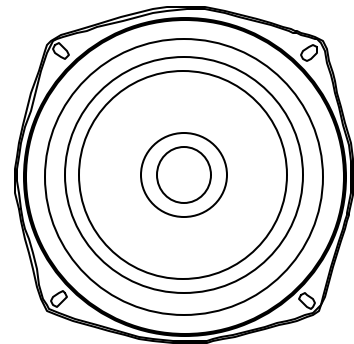
Rear Door



INSTALLATION
INSTRUCTION

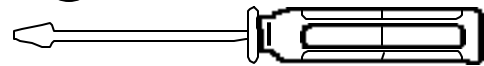
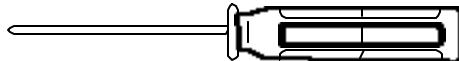


x 2



x 2

TAPE



Part number
H6300 SS000

Date
2000/11/13

Subaru of America

Page
1/5

This page does not print

This file has pp 1-3 of a 5 page document.

(all five pages could not be placed in one document due to memory overflows and crashes.)

If you do not have a non-marring plastic tool, wrap a slot screwdriver with electrical tape. Be careful not to damage the interior trim.

1. Put the glass down on the front windows.
2. Remove the triangular piece of trim by carefully prying it off.
3. Remove the bezel trim around the door handle. Pull the trim down in location 1 and insert the screwdriver also pulling up in location 3. Start prying in location 1 and work your way around the part.
4. Lift screw cover with slot screwdriver and remove screw with phillips screwdriver.
5. Lift rear of trim at location 1 and pull trim rearward and lift up.
6. Disconnect all connectors from trim piece.
7. Remove screw with phillips screw driver.
8. Start at the bottom of the door panel and pull away from the door. Then lift panel off of the door.
9. Remove the three screws securing the old speaker with a phillips screwdriver.
10. Remove the speaker and save the screws they will be used later.
11. Disconnect the speaker and discard it.
12. Install the new speaker, door panel and components in reverse order of disassembly. Repeat steps 1 through 11 for opposite side.
13. Put the glass down on the rear windows.
14. Remove the bezel trim around the door handle. Pull the trim down in location 1 and insert the screwdriver also pulling up in location 3. Start prying in location 1 and work your way around the part.
15. Lift screw cover with slot screwdriver and remove screw with phillips screwdriver. Lift the pocket out.
16. Lift rear of trim at location 1 and pull trim rearward and lift up.
17. Disconnect all connectors from trim piece.
18. Remove trim screw and plug using a phillips screw driver. Start at the bottom of the door panel and pull away from the door. Then lift panel off of the door.
19. Remove the four screws securing the old speaker with a phillips screwdriver.
20. Pry the speaker off the mounting bracket and save the screws they will be used later.
21. Disconnect the speaker and discard it.
22. Install new speaker, door panel and components in reverse order of disassembly. Repeat steps 13 through 21 for opposite side.